

**Screw-on bowl reduces maintenance time**  
**Protects air operated devices by removing liquid and solid contaminants**



**Technical data**

**Fluid:**

Compressed air, neutral gases  
NOTE: Contact technical support for use with other media.

**Maximum pressure**

250 psig (17 bar)

**Operating temperature:\***

-30° to 175°F (-34° to 80°C)  
\*Air supply must be dry enough to avoid ice formation at temperatures below 35°F (2°C)

**Oil aerosol removal:**

5 µm, or 40 µm filter element

**Nominal bowl size:**

1 quart (1 liter)

**Manual drain connection:**

1/8-27 and 1/8-28 female pipe thread.

**Automatic drain connection:**

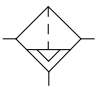
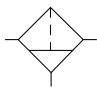
1/8-27 and 1/8-28 male pipe thread.

**Materials**

Body: aluminum  
Bowl: aluminum  
Bowl sight glass: Pyrex  
Elastomers: chloroprene, nitrile

**Ordering information**

Models listed include automatic drain, 40 µm element, metal bowl with sight glass, and PTF threads.

ISO Symbols	Port Size	Model Numbers	Flow scfm (dm3/s)*	Weight lbs (kg)	Filter elements**	Service kit††
 Auto Drain	3/4"	F17-600-A3DA	325 (153)	4.26 (1.93)	5311-01 (5µm)	5578-05 (all filters)
 Manual Drain	1"	F17-800-A3DA	425 (201)	4.15 (1.88)	5311-03 (40µm)	
	1-1/4"	F17-A00-A3DA	425 (201)	4.39 (1.99)		
	1-1/2"	F17-B00-A3DA	425 (201)	4.30 (1.95)		

\* Typical flow with a 40 µm element at 90 psig (6.3 bar) inlet pressure and 5 psig (0.35 bar) pressure drop.

\*\* Filter elements are sintered bronze

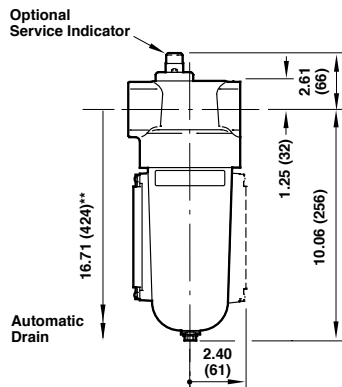
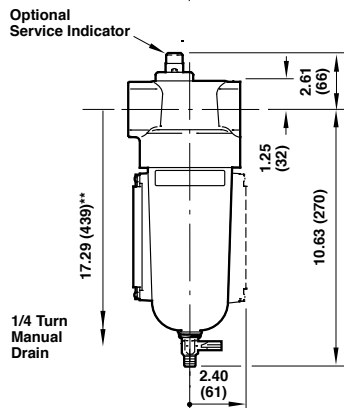
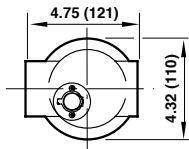
†† Service kit includes bowl o-ring, drain gasket, and element gasket.

**Alternative Models**

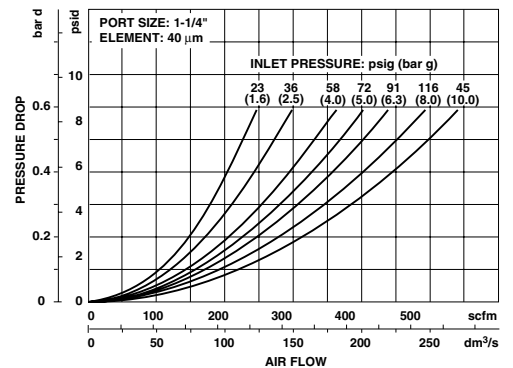
F17-★0★-★★D★

Port Size	Substitute
3/4"	6
1"	8
1-1/4"	A
1-1/2"	B
Servie indicator	Substitute
None	0
Mechanical	1

Threads	Substitute
PTF	A
ISO G parallel (not available with 1-1/2" ported units)	G
Element	Substitute
5 µm	1
40 µm	3
Drain	Substitute
Automatic	A
Manual 1/4 turn	M



**Typical Performance Characteristics**



Dimensions in inches (mm)