

Lite® Couplings - Stainless Steel



**Applications:**

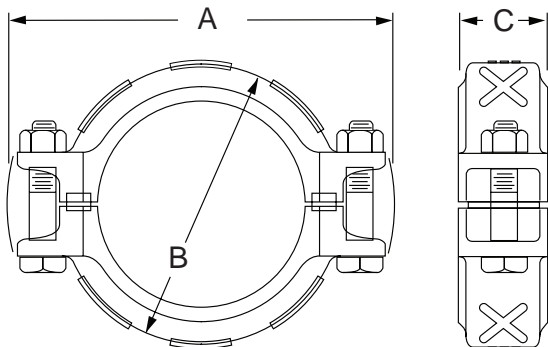
- designed for use on rigid, locked-in pipe connections

**Features:**

- 316 cast stainless steel body, nuts and bolts
- certified to ANSI/NSF 61
- ideal for corrosive environments
- use of suitable anti-galling thread compound is recommended
- Comparable to: Grinnell's #7400 SS



Nominal Size	Pipe OD	Maximum Working Pressure (PSI)	Maximum End Load (Lbs.)	Bolts			316 Stainless Steel Part # with Fluoro-elastomer gasket
				qty	size	length	
2"	2.375"	300	1329	2	3/8"	2 1/4"	<b>RL02V</b>
3"	3.500"	300	2886	2	1/2"	2 3/4"	<b>RL03V</b>
4"	4.500"	300	4771	2	1/2"	2 3/4"	<b>RL04V</b>



Dimensions

A	B	C
5 5/8"	3 5/8"	1 3/4"
6 5/8"	4 5/8"	1 3/4"
7 3/4"	6"	1 7/8"

