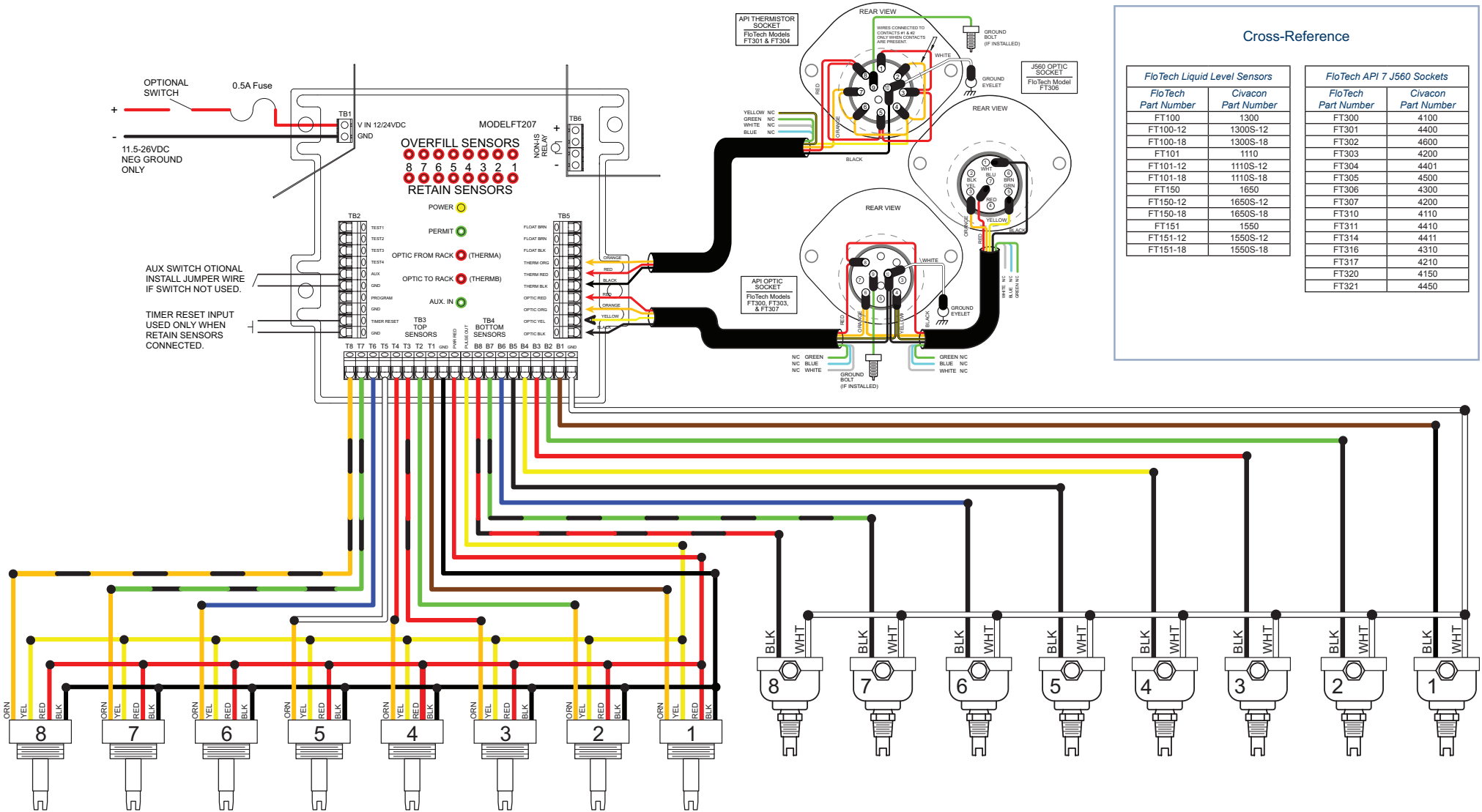


FT208 Checkmate System with Retain and 5 Wire Overfill Sensors



Cross-Reference

FloTech Liquid Level Sensors		FloTech API 7 J560 Sockets	
FloTech Part Number	Civacon Part Number	FloTech Part Number	Civacon Part Number
FT100	1300	FT300	4100
FT100-12	1300S-12	FT301	4400
FT100-18	1300S-18	FT302	4600
FT101	1110	FT303	4200
FT101-12	1110S-12	FT304	4401
FT101-18	1110S-18	FT305	4500
FT150	1650	FT306	4300
FT150-12	1650S-12	FT307	4200
FT150-18	1650S-18	FT310	4110
FT151	1550	FT311	4410
FT151-12	1550S-12	FT314	4411
FT151-18	1550S-18	FT316	4310
		FT317	4210
		FT320	4150
		FT321	4450

FT101/100 5 WIRE OPTIC SENSORS

FT152 2 WIRE OPTIC RETAIN SENSORS (BLK/WHT)

