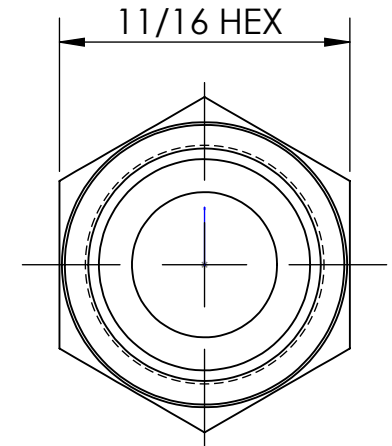
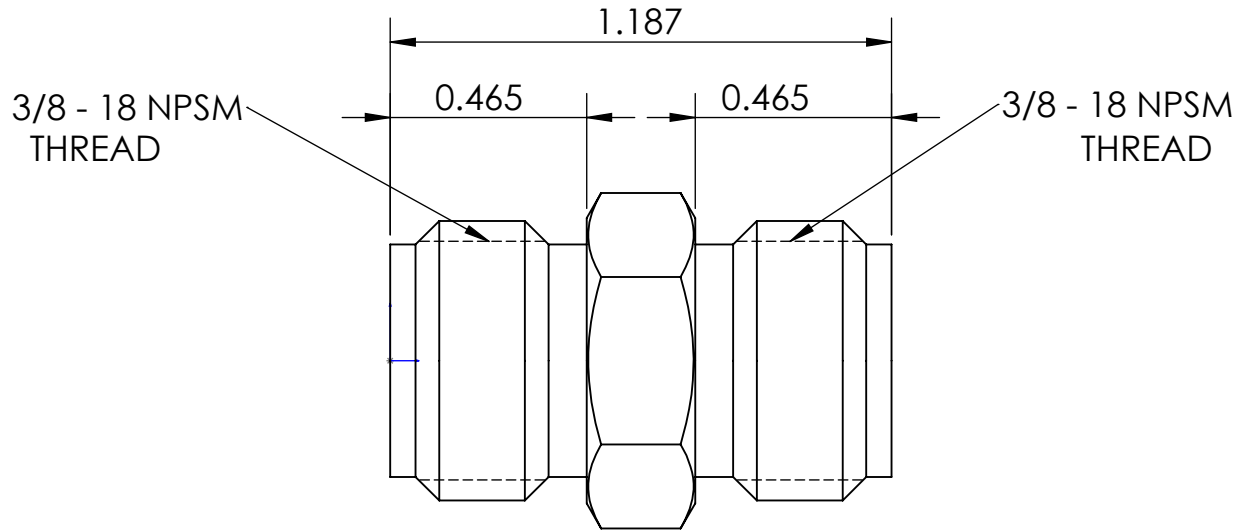
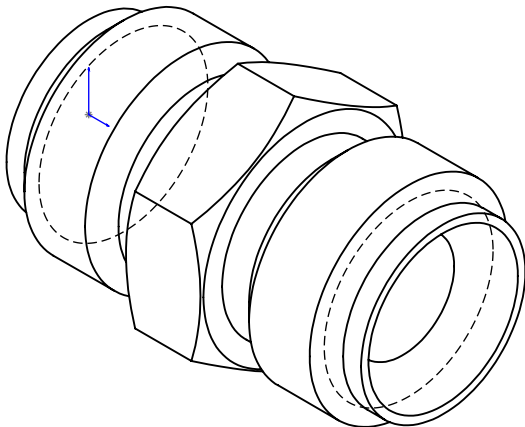
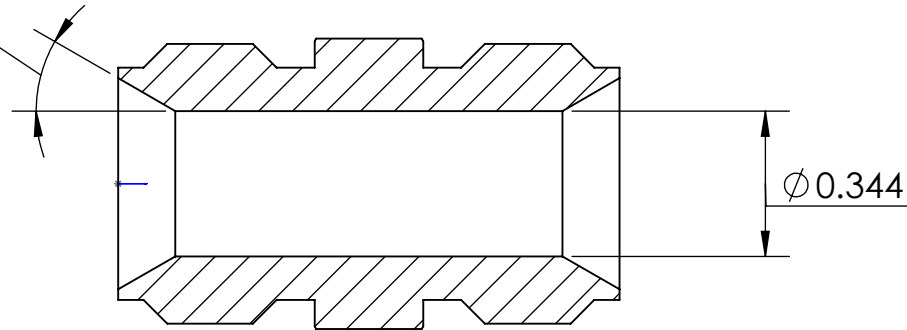



LINE DRAWING NOT FOR PRODUCTION PURPOSES



30° BOTH ENDS



THIS DRAWING CONTAINS INFORMATION DEEMED PROPRIETARY TO DIXON BRASS AND IS SO TO BE USED ONLY FOR THE PURPOSE FOR WHICH IT IS SUBMITTED, AND FURTHER, SHALL NOT BE COPIED IN WHOLE OR IN PART WITHOUT EXPRESS WRITTEN PERMISSION FIRST OBTAINED FROM DIXON BRASS.			
UNLESS OTHERWISE SPECIFIED:			
DIMENSIONS ARE IN INCHES		 The Right Connection™	Dixon Brass Westmont, Illinois USA
TOLERANCES: ANGLES: ±0°30' .X (±.015) .XX (±.010) .XXX (±.005)			
DIMENSIONS PER ANSI Y14.5		TITLE: MALE UNION NPSM TO NPSM	ECO NO. DRAWING NOT REPRODUCED TO SCALE
SIZE A	DWG. NO. 1760606C	REV A	