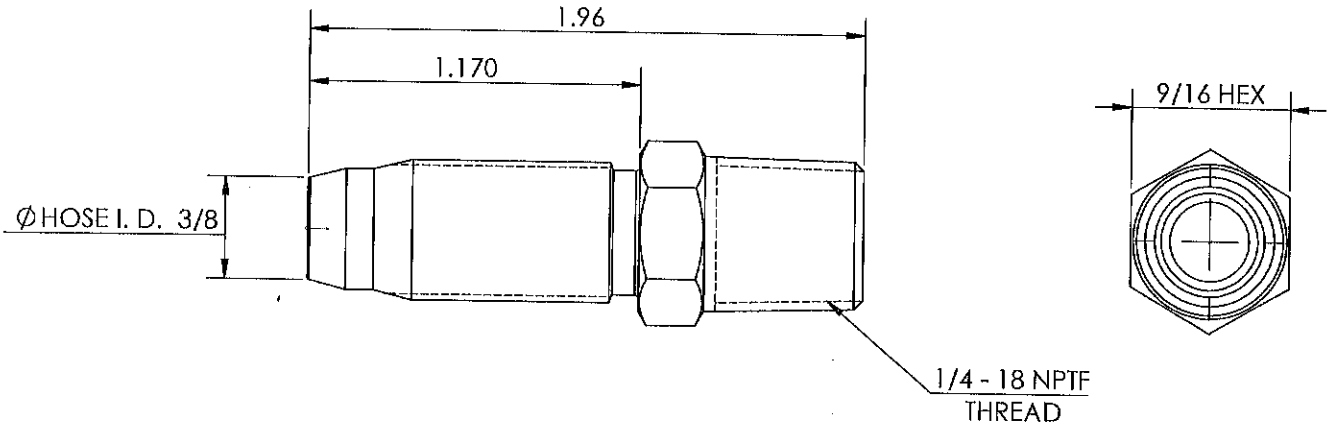
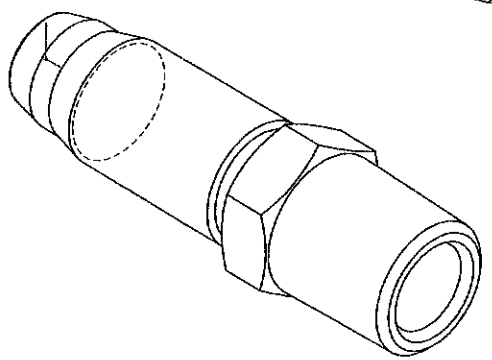
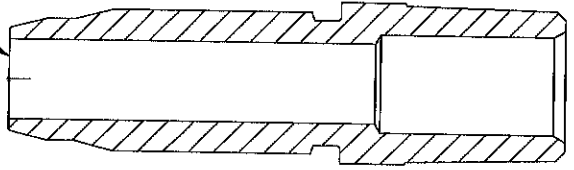



LINE DRAWING NOT FOR PRODUCTION PURPOSES



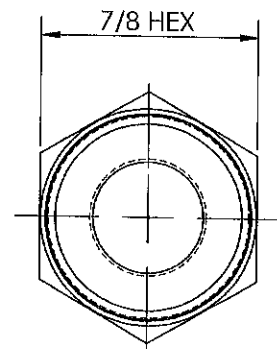
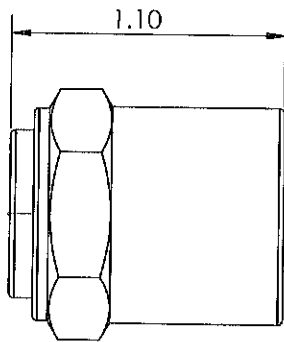
Ø HOSE I. D. 3/8

THRU HOLE DIA. .281

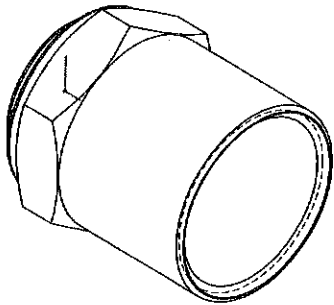
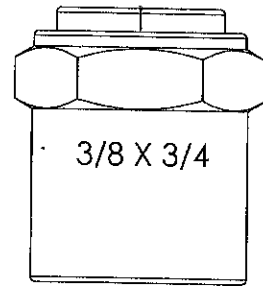
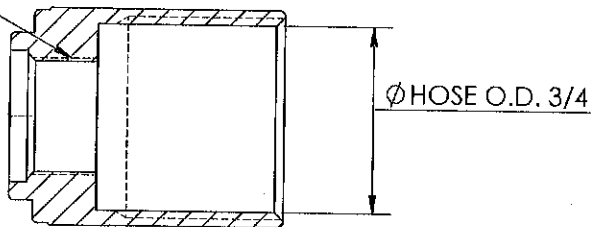



| | | | |
|--|---|---------------------------------|---------|
| THIS DRAWING CONTAINS INFORMATION DEEMED PROPRIETARY TO DIXON BRASS AND IS TO BE USED ONLY FOR THE PURPOSE FOR WHICH IT IS SUBMITTED, AND FURTHER, SHALL NOT BE COPIED IN WHOLE OR IN PART WITHOUT EXPRESS WRITTEN PERMISSION FIRST OBTAINED FROM DIXON BRASS. | | | |
| UNLESS OTHERWISE SPECIFIED: | | | |
| DIMENSIONS ARE IN INCHES |  Dixon Brass Westmont, Illinois USA | DRAWN | DATE |
| TOLERANCES: ANGLES: ±0°30' .X (±.015) .XX (±.010) .XXX (±.005) | | P. MONAGHAN | 4/28/15 |
| DIMENSIONS PER ANSI Y14.6 | TITLE: | APPROVED | DATE |
| | REUSABLE MALE STEM | ECO NO. | |
| | | DRAWING NOT REPRODUCED TO SCALE | |
| | SIZE | DWG. NO. | REV |
| | A | 1820604S | D |

LINE DRAWING NOT FOR PRODUCTION PURPOSES



1/2 - 20 UNF 2B
HOSE I.D. 3/8



| | | | | |
|---|--|---|----------------------|---------------------------------|
| THIS DRAWING CONTAINS INFORMATION DEEMED PROPRIETARY TO DIXON BRASS AND IS SO TO BE USED ONLY FOR THE PURPOSE FOR WHICH IT IS SUBMITTED, AND FURTHER, SHALL NOT BE COPIED IN WHOLE OR IN PART WITHOUT EXPRESS WRITTEN PERMISSION FIRST OBTAINED FROM DIXON BRASS, UNLESS OTHERWISE SPECIFIED. | | | | |
| DIMENSIONS ARE IN INCHES | |  Dixon Brass Westmont, Illinois USA | DRAWN P. MONAGHAN | DATE 10/9/14 |
| TOLERANCES: ANGLES: $\pm 0^{\circ}30'$.X ($\pm .015$) .XX ($\pm .010$) .XXX ($\pm .005$) | | | APPROVED | DATE |
| DIMENSIONS PER ANSI Y14.5 | | TITLE: RE - USABLE FERRULE | ECO NO. | DRAWING NOT REPRODUCED TO SCALE |
| | | SIZE A | DWG. NO. 1800612F | REV B |