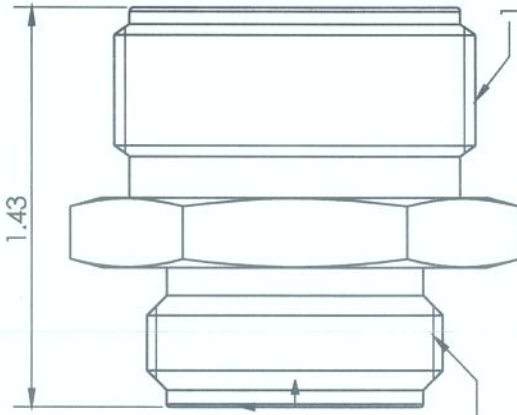
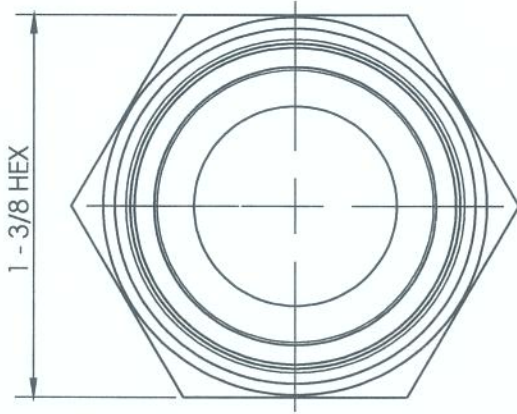
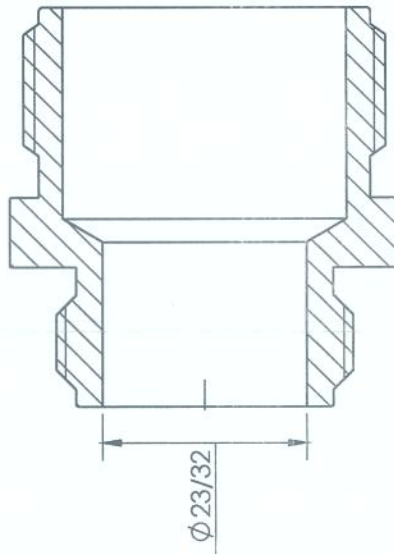


LINE DRAWING NOT FOR PRODUCTION PURPOSES



3/4 - 11 - 1/2 N.H. 1 - 11 - 1/2 NPSH



MATERIAL 1 - 3/8 HEX ALLOY 360 BRASS

This drawing is owned by Dixon Valves Coupling Co. and shall be returned upon demand. It is loaned on condition that it shall not be copied or reproduced or submitted to others without the owners consent. In accepting it, subject to this condition, the recipient further agrees that this drawing or any design detail or concept disclosed herein shall not be used in any way without the express written consent of Dixon Valves Coupling Co. If the information contained in this drawing is subject to change without notice.

 Dixon Brass Westmont, Illinois USA	DRAWN	DATE
	HENRY B.	10/18/17
	APPROVED	DATE
	ECO NO.	

DO NOT SCALE THIS DRAWING		
SIZE	DWG. NO.	REV
A	5091612C	A

TITLE: ADAPTER 3/4" X 1" GARDEN HOSE