

# Maintenance & Operating Instructions

For  
Dixon Bayco

5000xS Series  
AIR INTERLOCK ELECTRICAL SWITCH

For Sales and Service Contact

Europe:  
Dixon Group Europe Ltd.  
Preston, England  
Phone: +44 (0) 1772 323529  
Fax: +44 (0) 1772 314664  
Email: [enquiries@dixoneurope.co.uk](mailto:enquiries@dixoneurope.co.uk)

Mexico:  
Dixva, S. de R.L. de C.V.  
Monterrey, N.L.  
Phone: 01-800-00-DIXON (34966)  
Fax: 01-81-8354-8197  
E-mail: [contactenos@dixonvalve.com.mx](mailto:contactenos@dixonvalve.com.mx)

Canada:  
Dixon Group Canada Limited  
Innisfil (Barrie), Ontario  
Phone: 705-436-1125  
Fax: 705-436-6251  
Toll Free: 877-963-4966  
E-mail: [isales@dixongroupcanada.com](mailto:isales@dixongroupcanada.com)

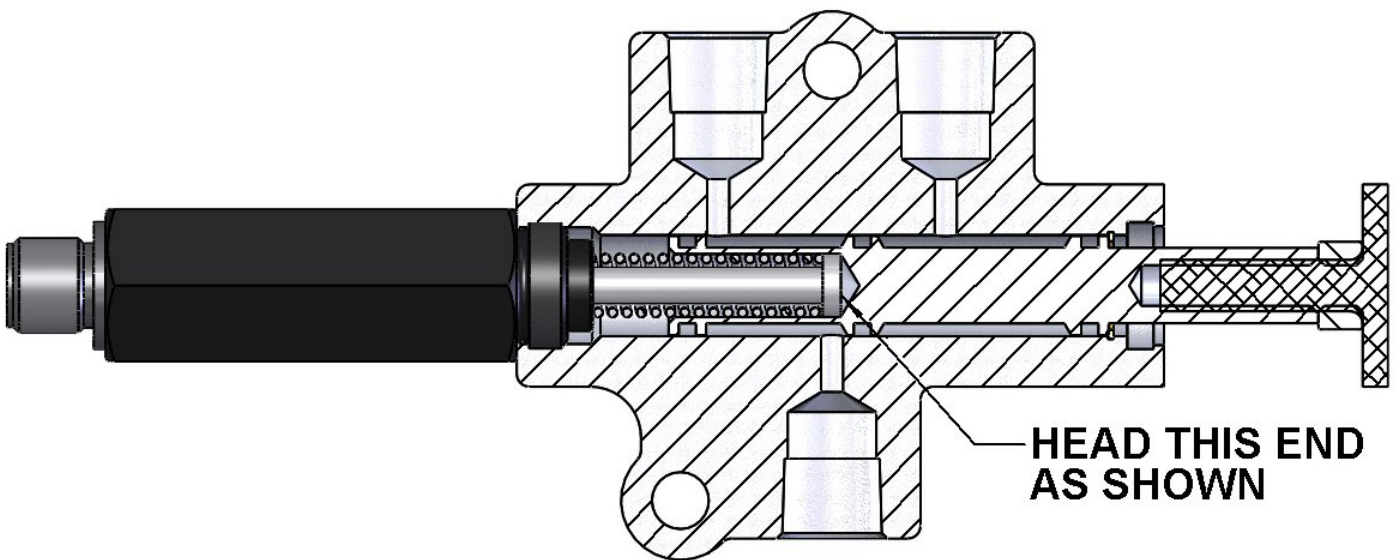
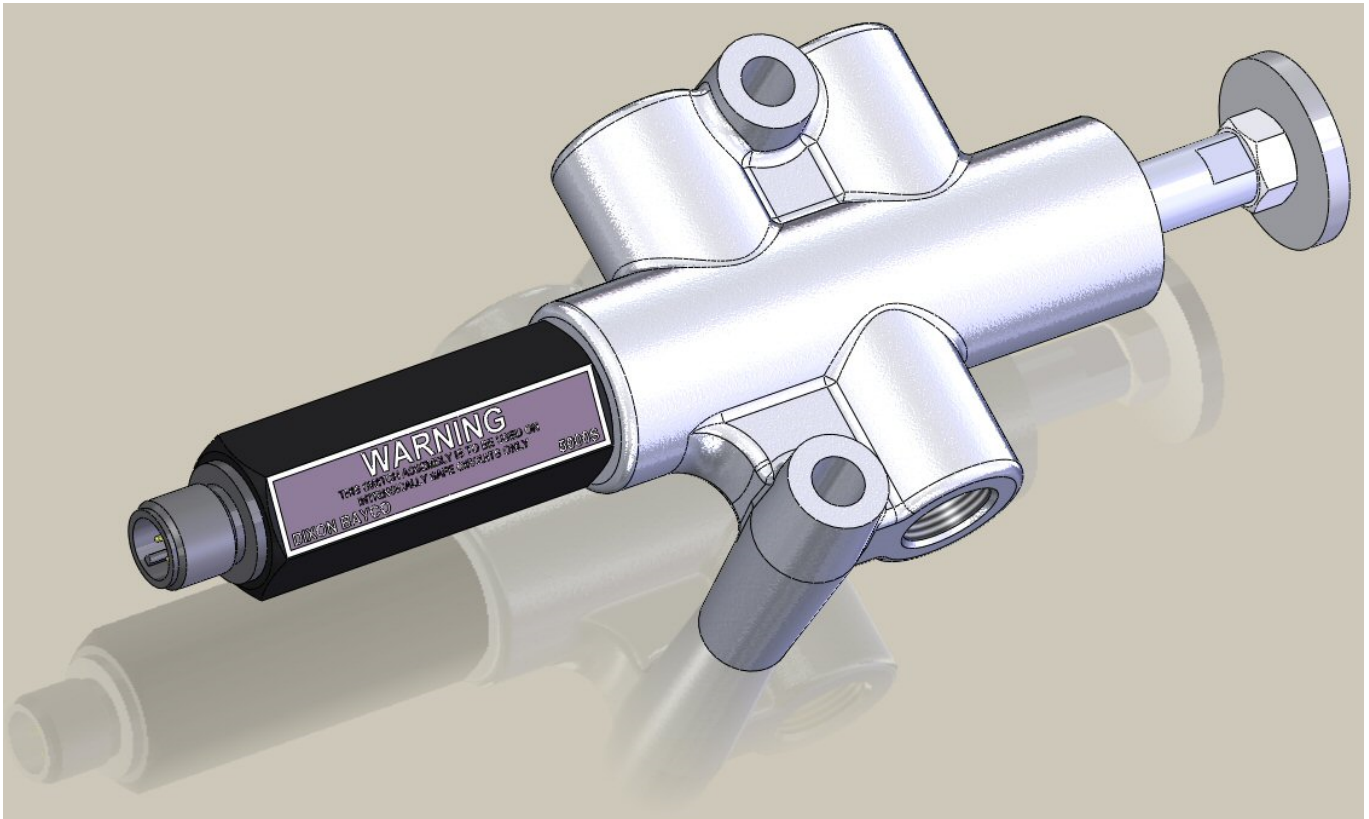
Asia Pacific:  
Dixon (Asia Pacific) Pty Ltd Wingfield, South  
Australia  
Phone: +61 8 8202 6000  
Fax: +61 8 8202 6099  
E-mail: [enquiries@dixonvalve.com.au](mailto:enquiries@dixonvalve.com.au)

USA:  
Dixon Bayco USA  
Chestertown, Maryland  
Phone: 410-778-2000  
Fax: 410-778-4702  
Toll Free: 800-355-1991  
E-mail: [dixonbayco@dixonvalve.com](mailto:dixonbayco@dixonvalve.com)



*The Right Connection®*

[dixonvalve.com](http://dixonvalve.com)



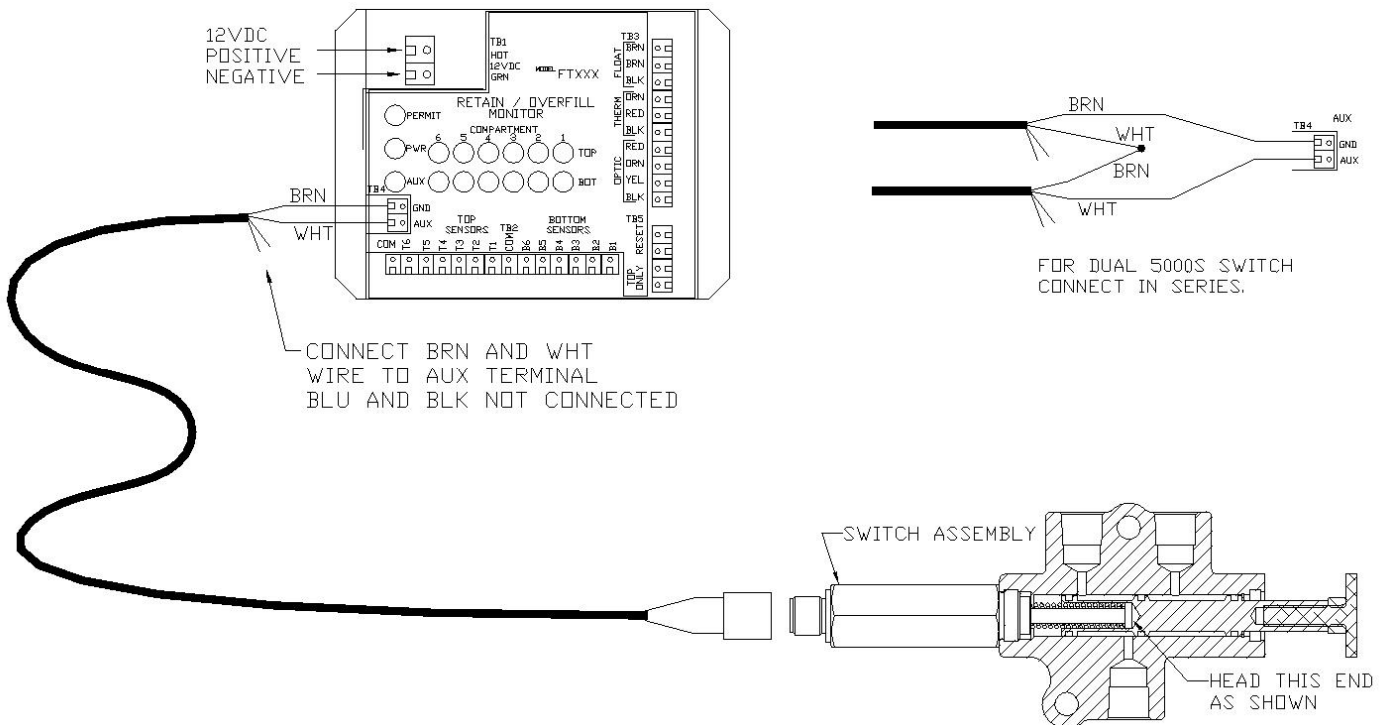
**Tools required for installation and part replacement**

3/4" open end wrench

**INSTALLATION**

**CAUTION! SAFETY GLASSES MUST BE WORN DURING INSTALLATION AND SERVICE.**

**CAUTION! END PLUG IS RESTRAINING A COMPRESSION SPRING. ENSURE THAT YOU HAVE A FIRM GRIP ON THE END PLUG BEFORE REMOVING**



## **ASSEMBLY**

1. Using the 3/4" open-end wrench, remove the end plug from the existing Dixon Bayco Air interlock valve. Hold the end plug firmly to prevent the spring from ejecting the plug from your hand. You may discard the end plug.
2. Remove the main spring.
3. Install the magnet inside of the spring and put the spring and magnet back inside the body such that the head of the magnet goes in first. See drawing.
4. Install the switch assembly into the Air Interlock Body (compressing the spring) and tighten with the 3/4" open end wrench.
5. Connect the wire cable to the switch assembly by aligning the notch in the wire plug to the projection in the switch receptacle. Tighten the collar of the wire cable to secure it to the switch assembly.
6. Attach strain relief to onboard monitor housing and run the wire cable through the strain relief and into the onboard monitor housing.
7. Connect the brown and white wires of the cable to the AUX port of the on board monitor.
8. Cut off the blue and black wires.
9. Attach the warning label to the switch as shown, such that the label is visible to operators.

## **DIXON BAYCO WARRANTY**

For Warranty Information, please refer to the inside back cover of the latest Dixon Catalog.