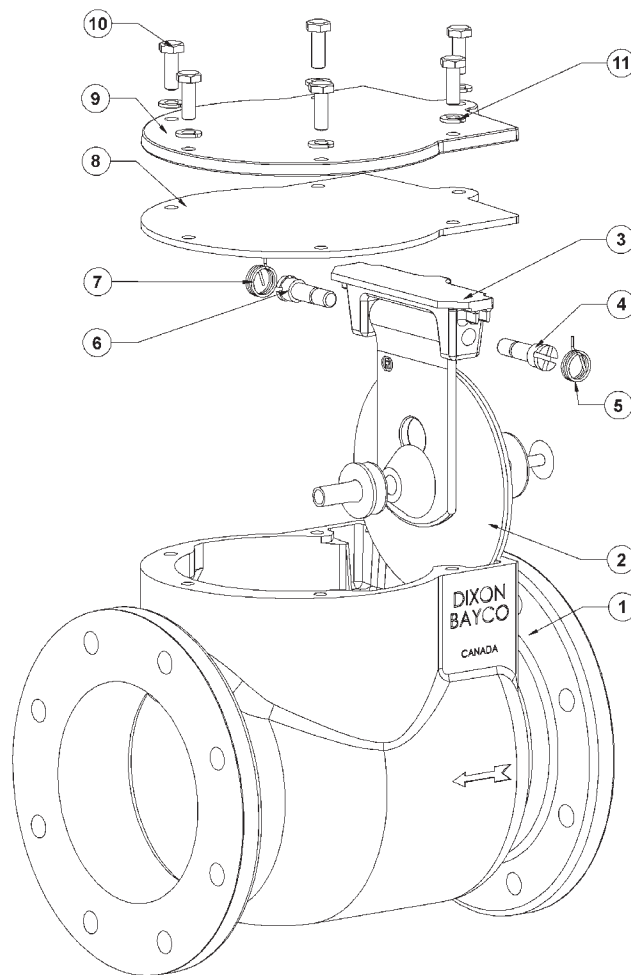


## Bayco High Flow 4040 Series 4" Swing Check Valves Round Flange and Threaded Units

### Bill of Materials


Item #	Description	Part #	Qty
1	swing check body	---	1
2A	valve flapper assembly EPDM (4040RD & 4040TE)	use kit <b>4040RK1</b>	1
2B	valve flapper assembly metal seal (4041RD & 4041TE)	use kit <b>4041RK2</b>	1
2C	valve flapper assembly Silicone (4042RD & 4042TE)	use kit <b>4042RK2</b>	1
3	flapper valve yoke	<b>341595</b>	1
4A	left hand shaft (4040RD & 4040TE)	<b>390799</b>	1
4B	left hand shaft (4041RD, 4042RD, 4041TE, 4042TE)	<b>390846</b>	1
5A	left hand spring (4040RD & 4040TE)	use kit <b>3030RK3</b>	1
5B	left hand spring (4041RD, 4042RD, 4041TE & 4042TE)	use kit <b>4041RK3</b>	1
6A	right hand shaft (4040RD & 4040TE)	<b>390798</b>	1
6B	right hand shaft (4041RD, 4042RD, 4041TE & 4042TE)	<b>390847</b>	1
7A	right hand spring (4040RD & 4040TE)	use kit <b>3030RK3</b>	1
7B	right hand spring (4041RD, 4042RD, 4041TE & 4042TE)	use kit <b>4041RK3</b>	1
8	cover gasket	<b>111215</b>	1
9	cover	<b>340039</b>	1
10	bolt	use kit <b>3030HK</b>	6
11	lock washer	use kit <b>3030HK</b>	6



### Repair Kits

Part #	Description	Includes Item #
<b>4040RK1</b>	replacement EPDM flapper kit, flapper assembly, yoke, springs, shafts, cover gasket (for 4040RD and 4040TE)	2A, 3, 4A, 5A, 6A, 7A, 8
<b>4041RK2</b> <sup>1</sup>	replacement metal seal flapper kit, flapper assembly, yoke, springs, shafts, cover gasket (for 4041RD and 4041TE)	2B, 3, 4B, 5B, 6B, 7B, 8
<b>4042RK2</b> <sup>1</sup>	replacement silicone flapper kit, flapper assembly, yoke, springs, shafts, cover gasket (for 4042RD and 4042TE)	2C, 3, 4A, 5A, 6A, 7A, 8
<b>4040RK2</b>	complete rebuild kit, EPDM flapper assembly, yoke, springs, shafts, cover gasket, bolts and lock washers (for 4040RD and 4040TE)	2A, 3, 4A, 5A, 6A, 7A, 8, 10, 11
<b>4041RK1</b> <sup>1</sup>	complete rebuild kit, metal seat flapper assembly, yoke, springs, shafts, cover gasket, bolts and lock washers (for 4041RD and 4041TE)	2B, 3, 4B, 5B, 6B, 7B, 8, 10, 11
<b>4042RK1</b> <sup>1</sup>	complete rebuild kit, silicone flapper assembly, yoke, springs, shafts, cover gasket, bolts and lock washers (for 4042RD and 4042TE)	2C, 3, 4A, 5A, 6A, 7A, 8, 10, 11
<b>3030HK</b>	replacement bolts and lock washers	10, 11
<b>3030RK3</b>	replacement left and right springs (for 4040RD and 4040TE)	5A, 7A
<b>4041RK3</b>	replacement left and right springs (for 4041RD, 4041TE, 4042RD and 4042TE)	5B, 7B
<b>3030SK</b>	optional: anti-tamper security kit for swing check lid, 2 security bolts and wire seal	not illustrated

<sup>1</sup> Kits 4041RK1, 4041RK2, 4042RK1 and 4042RK2 contain 2 sets of shafts and springs. Swing check valves manufactured after March 2007 should use the larger axial shafts and larger torsion springs. Swing check valves manufactured prior to March 2007 will require the use of the shorter axial shafts and the smaller torsion springs.

The smaller torsion springs will not return the flappers contained in the 4041RK1, 4041RK2, 4042RK1 and 4042RK2 kits to a fully closed position if the valve is mounted vertically or upside down. Ensure that these mounting positions are avoided if the smaller springs are used with the 4041RK1, 4041RK2, 4042RK1 and 4042RK2 kits. 

Product instruction sheets and technical data can be viewed on our website at [dixongroupcanada.com](http://dixongroupcanada.com) by selecting the 'Resources' menu.